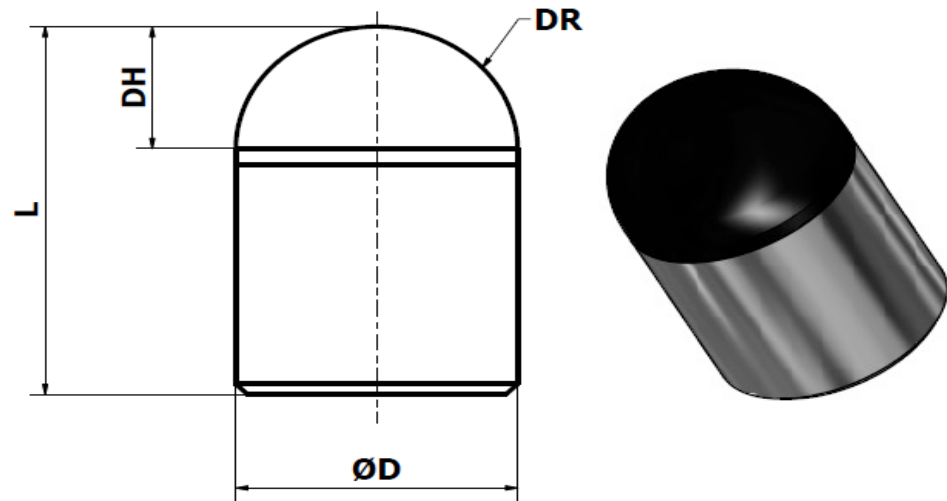


Dome Shaped PDC Cutters

Tolerances: **Diameter (D):** $\pm 0.013\text{mm}$
Length (L): $\pm 0.050\text{mm}$

Product	(mm)			
	Diameter (D)	Length (L)	Dome Height (DH)	Dome Radius (DR)
D1013	9.59	12.62	3.94	4.95
D1114	11.19	14.35	5.54	5.54
D1319	13.20	19.00	7.11	7.20
D1629	15.86	28.59	5.97	8.26
D1923	19.09	22.86	9.27	9.91
D2123	20.69	22.86	7.95	10.70
D2525	25.44	25.40	9.35	13.34
D3129	30.99	28.58	11.33	16.26



Glynn Technical Diamonds Ltd,
Unit 1 Kilrush Business Park, Cooraclare Road,
Kilrush, Co Clare, V15 AV22, Ireland
Telephone: +353 86 199 6484 | E-mail: info@glynn.ie | Website: www.glynn.ie |