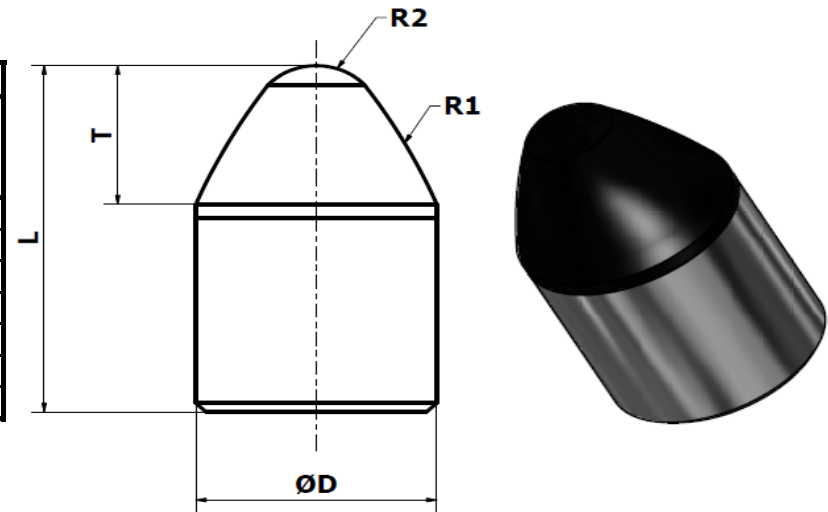


Ballistic Shaped PDC Cutters

Tolerances: **Diameter (D):** $\pm 0.013\text{mm}$
Length (L): $\pm 0.050\text{mm}$

Product	(mm)				
	Diameter (D)	Length (L)	Dome Radius 1 (R1)	Dome Radius 2 (R2)	T
B0613	6.35	12.50	31.75	3.18	2.80
B1015	10.16	15.24	31.75	3.18	5.72
B1324	12.80	24.13	31.75	3.18	7.62
B1624	16.13	24.13	31.75	3.18	8.89
B1925	19.05	25.40	44.45	4.76	13.97
B2225	22.23	25.40	44.45	4.76	15.24
B2528	25.40	27.94	44.45	4.76	16.51



*Non-standard sizes available on request.

Glynn Technical Diamonds Ltd,
Unit 1 Kilrush Business Park, Cooraclare Road,
Kilrush, Co Clare, V15 AV22, Ireland
Telephone: +353 86 199 6484 | E-mail: info@glynn.ie | Website: www.glynn.ie |