

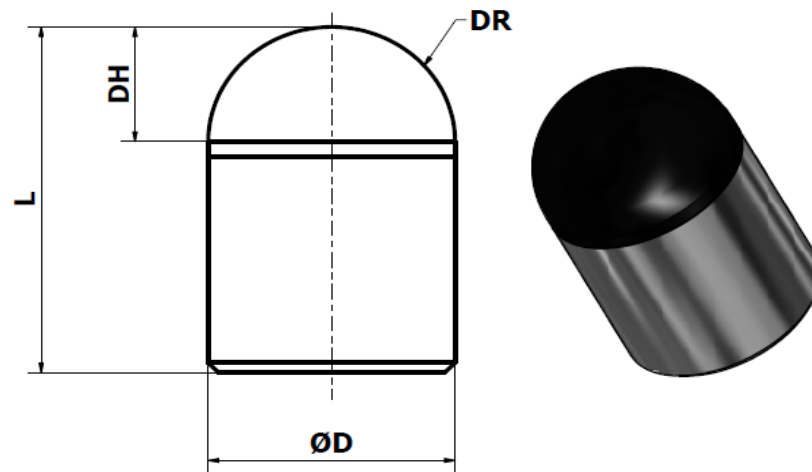


Glynn Technical Diamonds Ltd
 Unit 1, Kilrush Business Park,
 Cooraclare Road,
 KILRUSH, CO. CLARE
 IRELAND

Dome Shaped PDC Cutters

Tolerances: **Diameter (D):** $\pm 0.013\text{mm}$
Length (L): $\pm 0.050\text{mm}$

Product	(mm)			
	Diameter (D)	Length (L)	Dome Height (DH)	Dome Radius (DR)
D1013	9.59	12.62	3.94	4.95
D1114	11.19	14.35	5.54	5.54
D1319	13.20	19.00	7.11	7.20
D1629	15.86	28.59	5.97	8.26
D1923	19.09	22.86	9.27	9.91
D2123	20.69	22.86	7.95	10.70
D2525	25.44	25.40	9.35	13.34
D3129	30.99	28.58	11.33	16.26



*Non-standard sizes available on request.

www.glynn.ie