

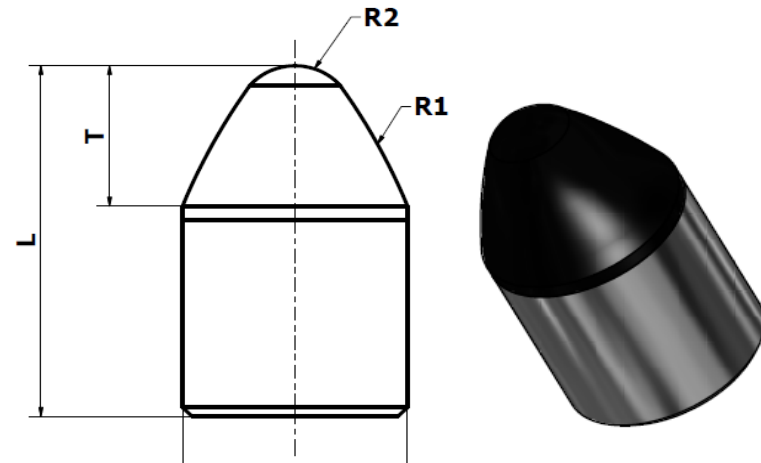


Glynn Technical Diamonds Ltd  
 Unit 1, Kilrush Business Park,  
 Cooraclare Road,  
 KILRUSH, CO. CLARE  
 IRELAND

## Ballistic Shaped PDC Cutters

**Tolerances:** **Diameter (D):**  $\pm 0.013\text{mm}$   
**Length (L):**  $\pm 0.050\text{mm}$

Product	(mm)				
	Diameter (D)	Length (L)	Dome Radius 1 (R1)	Dome Radius 2 (R2)	T
B0613	6.35	12.50	31.75	3.18	2.80
B1015	10.16	15.24	31.75	3.18	5.72
B1324	12.80	24.13	31.75	3.18	7.62
B1624	16.13	24.13	31.75	3.18	8.89
B1925	19.05	25.40	44.45	4.76	13.97
B2225	22.23	25.40	44.45	4.76	15.24
B2528	25.40	27.94	44.45	4.76	16.51



\*Non-standard sizes available on request.

[www.glynn.ie](http://www.glynn.ie)